

Tool Flange Adaptor – Your robot of choice

TGC-RTFA-XX



Designed for market wide robot interfacing

- We have distilled a mechanical interface that satisfies requirements of adaptability to the broad spectra of robot vendor specific tool flange dimensions.
- Besides the collection of Tool Flange Adaptors in our portfolio, we offer you an open-ended 3D CAD model for your self-made custom fit

Light weight – though robust and resistant

- The careful material selection features an extraordinary light weight, servicing high dynamic of pick and place operations not affected by heavy dead-weight of the gripper nor gripper attachment elements. Still the design and materials are selectively chosen to accommodate the required mechanical durability and resistance to environment impact in terms of temperature, humidity, UV light and chemical hostility.

Future expansion ready

- The portfolio of the robot vendor specific tool flange adaptor is continuously expanded. And we offer 3D CAD model for customer self-made adaptors

Topologic optimized

- The Tool Flange Adaptor implies a one-time operation to bolt the top of the Mounting Rig to the specific robot tool flange. Here by you have the quick and hands-free premises of in seconds to exchange either gripper lip and/or actuator insert for shifting jobs that requires a new setting.

Features



Generic top end interface for vendor specific Tool Flange Adaptor. Comprised of three back-lock knobs to catch and align the Tool Flange Adaptor elements.

For convenience we offer a large range of the most popular robot brands, see range in the following table or visit www.thegrippercompany.com for the frequently updated assortment. We also offer 3D CAD download, so you have the interface design for your own Tool Flange Adaptor



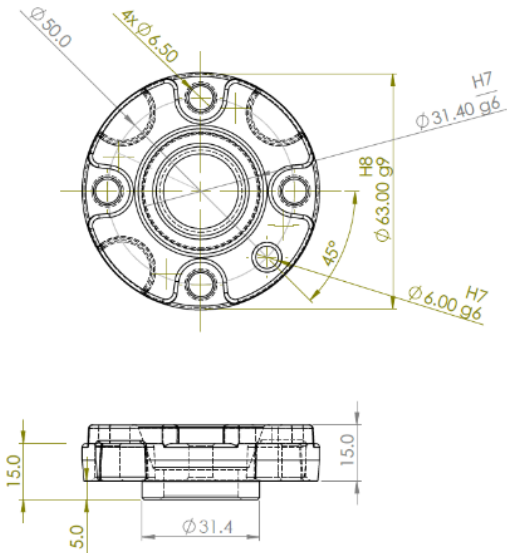
Resist highly aggressive cleaning agents. Including chloride solution. For further information [LINK](#)



TGC-RTFA-XX

SKU	color	Weight	Material (See table)	Chemical resistance	recyclable	Food Grade
TGC-RTFA- ADEPT ³⁾	Light blue	40g accessories	+ Reinforce PU	yes ¹⁾	yes	Yes ²⁾
TGC-RTFA- COBOT ³⁾	Light Green	40g accessories	+ Reinforce PU	yes ¹⁾	yes	Yes ²⁾
TGC-RTFA- ABB ³⁾	Light Red	40g accessories	+ Reinforce PU	yes ¹⁾	yes	Yes ²⁾

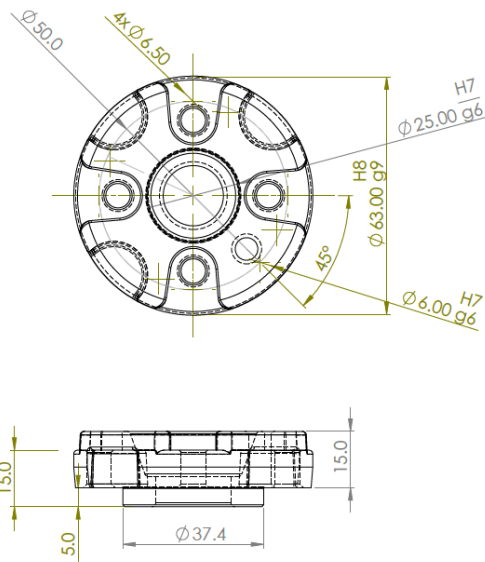
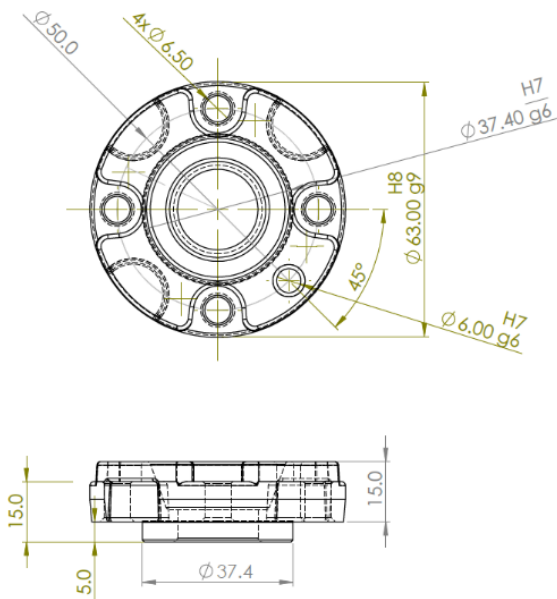
- 1) [Chemical Resistance Table](#)
- 2) [Food Compliance US](#) , [Food compliance EU](#)
- 3) Incl 4x M6x20 A2 hexagonal blots 1x parallel pin ø6x20 h7



Material technical overview

Shore D Hardness	70
Ultimate Tensile,	35.8 MPa
Tensile Modulus	1006 MPa
Elongation @ Break	4%
Flexural Strength,	42.7 MPa
Flexural Modulus	1258 MPa
Compressive Strength	38.4 MPa
Heat Deflection Temp	72 °C
Compressive Modulus	44.8 MPa

TGC-RTFA-COBOT Cobots incl. KUKA, AUBO, UR, KINOVA more



TGC-RTFA-IRB-RTH – ABB IRB360, Rethink BAXTER, SAWYOR

